

Enjoy future energy!

Water pumping PVP



The
Solar water
pumping



AES



PVP



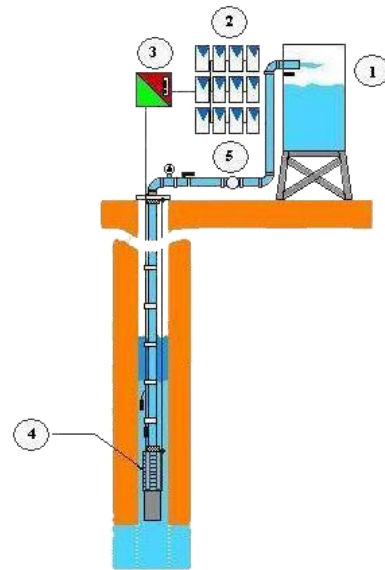
Water pumping PVP

Definition

It's pumping water without loss energy, it's operating with solar energy (water drinking supply, water supply for domestic use ,water for animals...).

Components

- 1- Reservoir,
- 2- Photovoltaic panels,
- 3- Converter,
- 4- Pump,
- 5- Counter.



*Components of a photovoltaic pumping system
PVP*

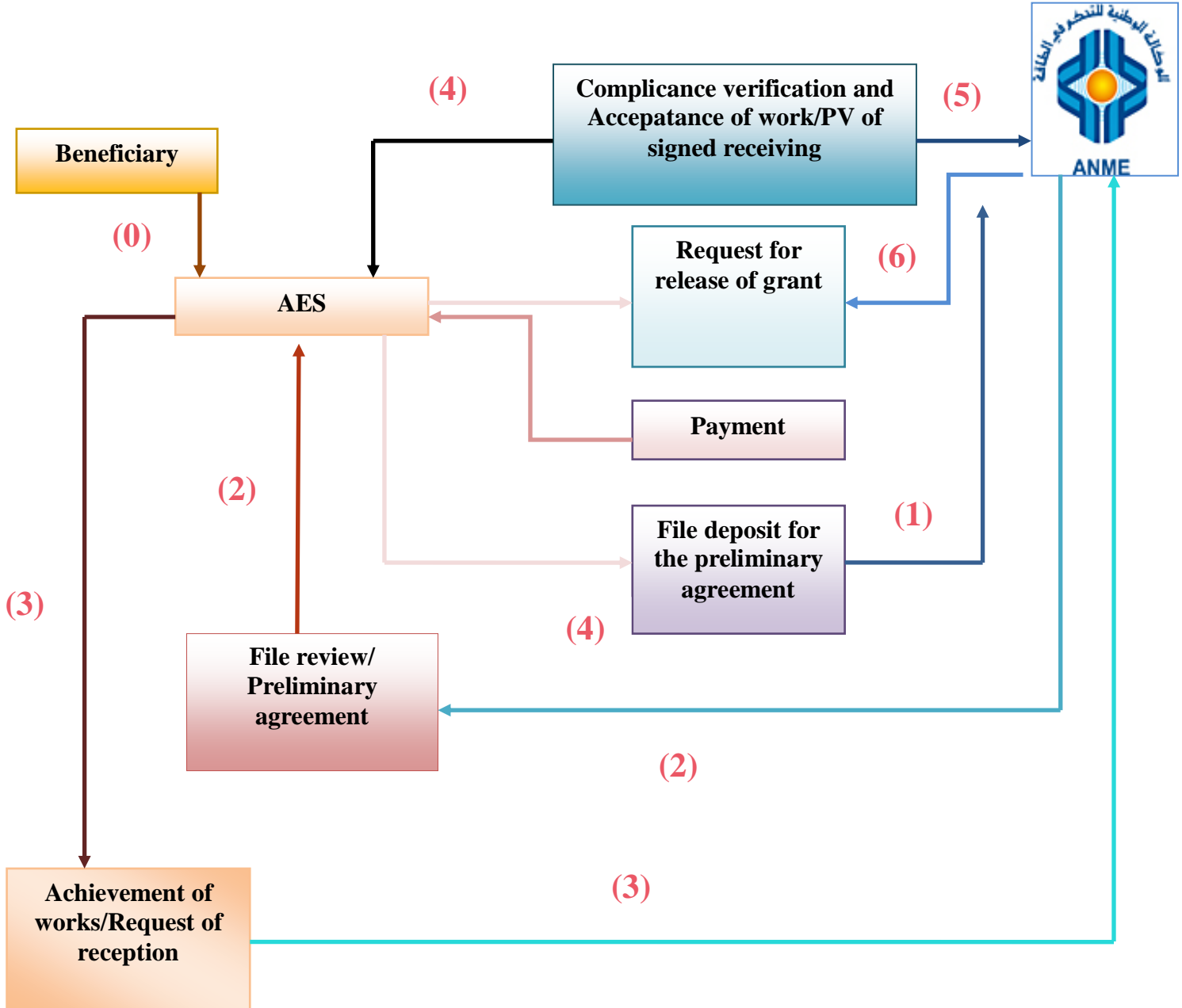
Benefits

- Solar pumping produces no fuel cost (petroleum, electricity), while providing a reliable and clean solution.
- The installation requires only limited maintenance costs (generally dedicated for the cleaning of pump).
- A long service life, about 20 years .

Financial incentive

To encourage the development of photovoltaic pumping for irrigation in the agricultural farms National Fund for Energy Conservation (NFEC) allows farmers to receive a premium of 40% of the investment cost with a maximum of twenty thousand dinars (20 000 DT).

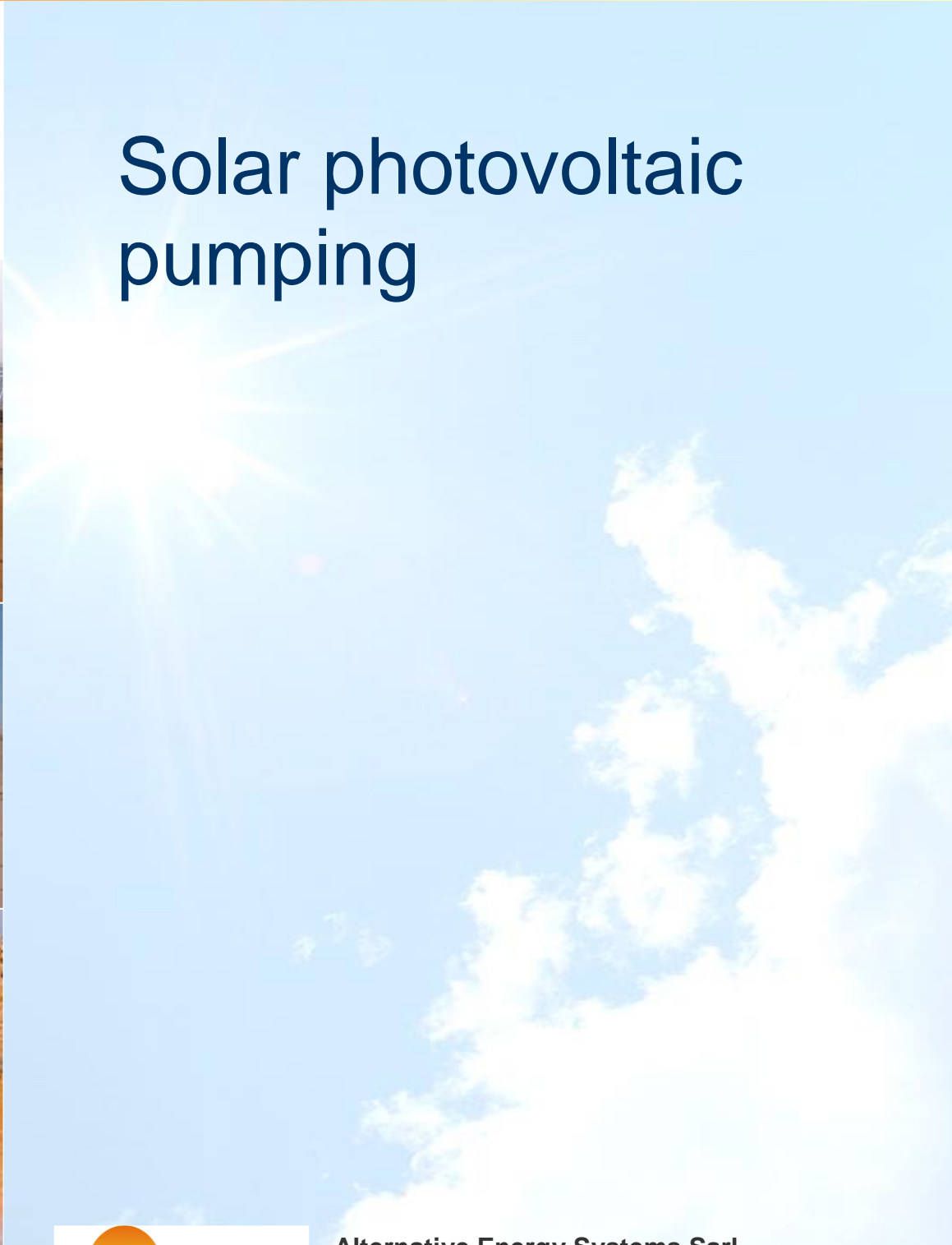
Joining process



Solar pump PVP



Solar photovoltaic pumping



Alternative Energy Systems Sarl
29 Tahar Sfar Street, 4000 Sousse – Tunisia
Tel. : 73 212 908 / 73 213 307
Fax : 73 212 909
Email : aes@planet.tn
[http : www.aes-tunisie.com](http://www.aes-tunisie.com)